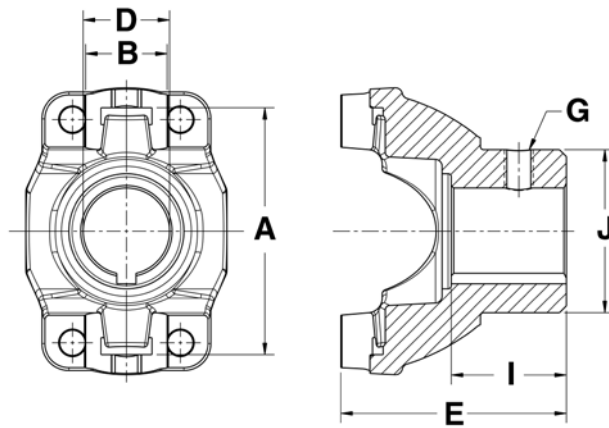




New Part Announcement

New 1310 Series Non Splined End Yoke

U-Bolt Construction



D	E	J	I		F	G		H		
Bore	Centerline to End of Hub	Hub Dia.	Length Through Bore	Keyway Location	Keyway Width	Set Screw Hole Size	Set Screw Location	Set Screw Distance to End of Hub	Joint Angle	Part No.
1310HR Series	use Kit No. 1-0153			A-3.219	B-1.0163					(Replaces Spicer® 5-153X)
1.250	2.940	2.125	1.500	—	0.250 & 0.312	0.375-16	—	—	22	N2-4-783-1

NEAPCO Components, LLC 740 Queen St. Pottstown, PA 19464

Phone: 800-821-2374

E-mail: hd@neapco.com

©2009 NEAPCO Components, LLC

Innovative Drivetrain Solutions™

9901181

Fax: 610-326-2002

Web site: www.neapco.com

09/2009