



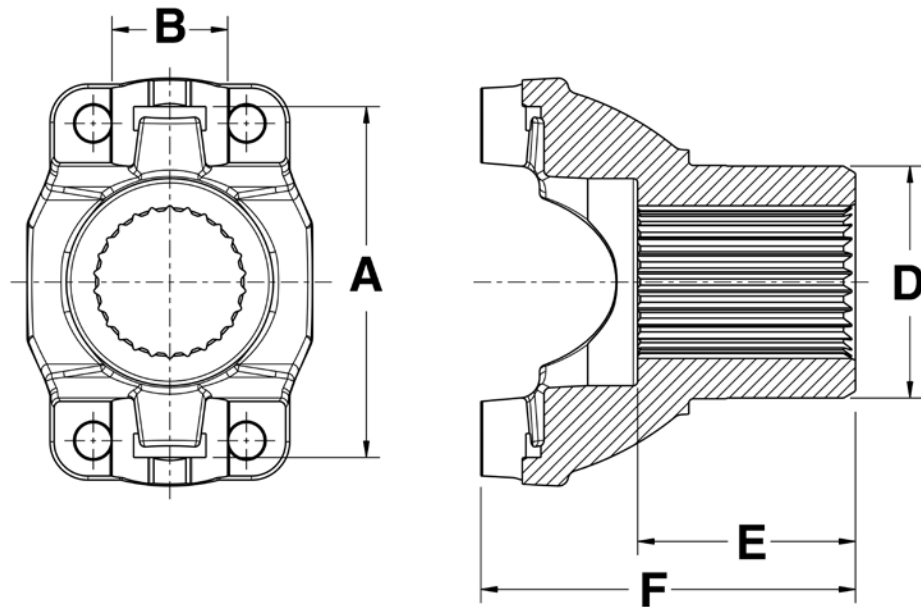
New Part Announcement

New 1350 Series End Yoke N3-4-JK04

Splined End Yoke

U-BOLT CONSTRUCTION

Fits Jeep Wrangler 2007-2008 Driveline Conversions.



Spline / No Teeth	D Hub Dia.	Sleeve Dia.	E Length Thru Bore	F Centerline To End Of Hub	Joint Angle	Part No.
1350HR Series		use Kit No. 2-0053	A-3.622	B-1.188	(Replaces Spicer® 5-178X)	
1.250-24	1.876	—	1.500	3.100	—	N3-4-JK04

NEAPCO Components, LLC 740 Queen St. Pottstown, PA 19464

Phone: 800-821-2374

E-mail: hd@neapco.com

Innovative Drivetrain Solutions™

Fax: 610-326-2002

Web site: www.neapco.com

©2009 NEAPCO Components, LLC

9901201

12/2009

1