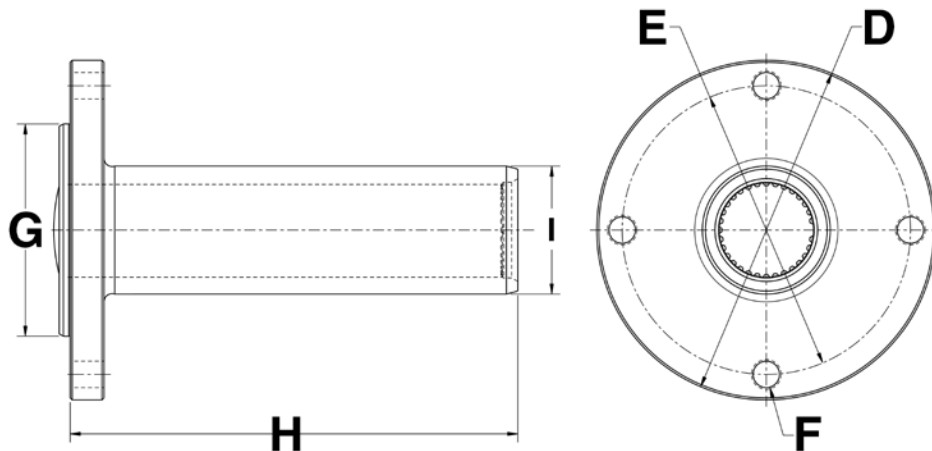




New Part Announcement

New 1350 Series Flange Sleeve

The N3-23-9168KX Flange Sleeve mates with a CV Flange Socket Yoke to create a mid-ship slip CV as utilized in the Chevrolet S10 vehicles. A major diameter fit 1.375-31/32 tooth spline is utilized to minimize hinging and the universal 3.12 diameter flange pilot mates with 1350 series (N3-83-3281X), 1330 series (N2-83-913X) and 3R series (N3R-83-482) series Flange Socket Yokes. Currently this design is being used by the OE Service Group as the replacement for the obsolete OE #26045527.



	D	E	F		G	H	I	
Spline / No Teeth	Swing Dia.	Bolt Circle	Hole/ Thread Size	No. Bolt Holes	Pilot Dia.	Flange Face To End	Hub Dia.	Part No.
1350 Series								
1.375-31/32	5.000	4.250	7/16-20	4	M-3.12	5.660	1.890	N3-23-9168KX

N3-23-9168KX includes (1) 0641-B Grease Fitting & (1) ND3A Dust Cap

NEAPCO Components, LLC 740 Queen St. Pottstown, PA 19464

Phone: 800-821-2374

E-mail: hd@neapco.com

Innovative Drivetrain Solutions™

Fax: 610-326-2002

Web site: www.neapco.com

©2009 NEAPCO Components, LLC

9901183

09/2009

1