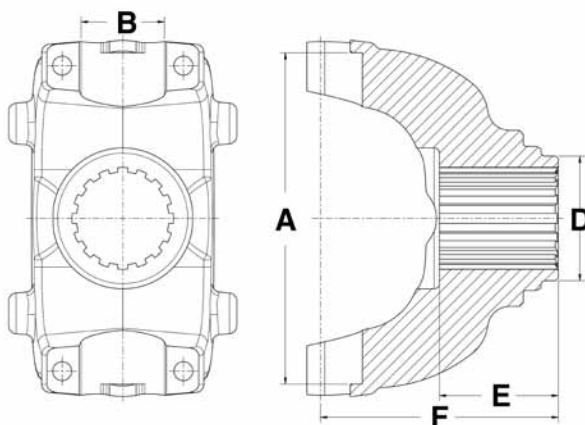




# New Part Announcement

## New 1610HR & 1710HR Series End Yokes

Splined End Yoke  
BEARING STRAP CONSTRUCTION



Spline / No. Teeth	D Hub Dia.	Sleeve Dia.	E Length Thru Bore	F Centerline To End Of Hub	Joint Angle	Part No.
<b>1610HR Series use Kit No. 4-0674 A-5.312 B-1.875 (Replaces Spicer® 5-674X)</b>						
1.79-34	2.19	—	2.25	4.12	22.0	<b>N5-4-7171-1</b>
<b>1710HR Series use Kit No. 4-0675 A-6.190 B-1.938 (Replaces Spicer® 5-675X)</b>						
2.39-46	2.88	—	2.75	4.94	20.5	<b>N6-4-7481-1</b>

**OVER - Continued on next page!**

NEAPCO Components, LLC 740 Queen St. Pottstown, PA 19464

Phone: 800-821-2374

E-mail: [hd@neapco.com](mailto:hd@neapco.com)

©2009 NEAPCO Components, LLC

**Innovative Drivetrain Solutions™**

9901199

Fax: 610-326-2002

Web site: [www.neapco.com](http://www.neapco.com)

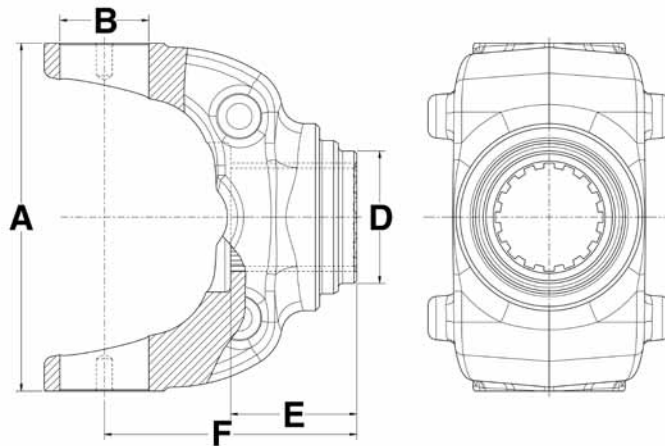
12/2009



# New Part Announcement

## *New 1710 Series End Yokes*

Splined End Yoke  
BEARING PLATE CONSTRUCTION



Spline / No. Teeth	D Hub Dia.	Sleeve Dia.	E Length Thru Bore	F Centerline To End Of Hub	Joint Angle	Part No.
<b>1710 Series use Kit No. 5-0280 A-6.094 B-1.938 (Replaces Spicer® 5-0280)</b>						
1.79-34	2.62	—	2.44	5.44	34.0	<b>N6-4-8511X</b>
2.02-39	2.62	—	2.25	5.25	33.5	<b>N6-4-6001X</b>

NEAPCO Components, LLC 740 Queen St. Pottstown, PA 19464

Phone: 800-821-2374  
E-mail: [hd@neapco.com](mailto:hd@neapco.com)

**Innovative Drivetrain Solutions™**

Fax: 610-326-2002  
Web site: [www.neapco.com](http://www.neapco.com)