

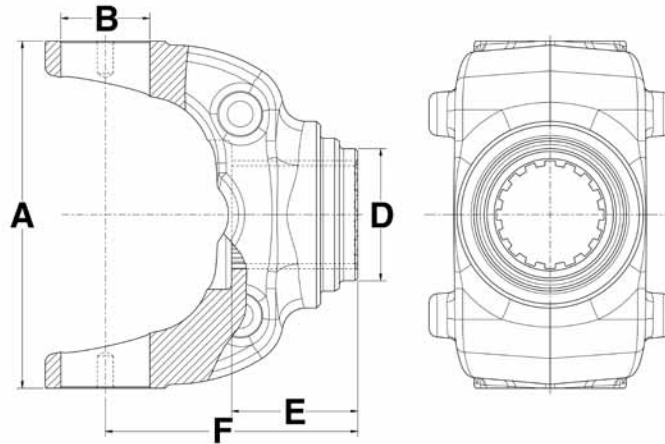


New Part Announcement

New 1710 Series End Yoke

Splined End Yoke

BEARING PLATE CONSTRUCTION



Spline / No. Teeth	D Hub Dia.	Sleeve Dia.	E Length Thru Bore	F Centerline To End Of Hub	Joint Angle	Part No.
1710 Series use Kit No. 5-0280 A-6.094 B-1.938 (Replaces Spicer® 5-0280)						
2.02-39	2.62	—	2.25	5.25	33.5	N6-4-5991

NEAPCO Components, LLC 740 Queen St. Pottstown, PA 19464

Phone: 800-821-2374

E-mail: hd@neapco.com

©2010 NEAPCO Components, LLC

Innovative Drivetrain Solutions™

9901256

Fax: 610-326-3857

Web site: www.neapco.com

08/2010