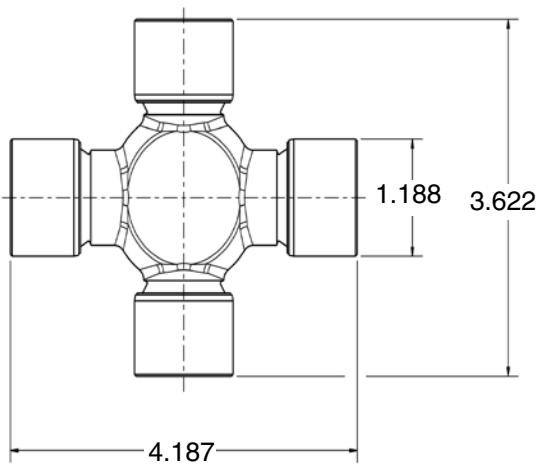




Product Announcement

New Universal Joint Kit 2-1435 For 1410 to 1350 Conversion Applications



Neapco continues to lead the way with another innovative driveline solution! The 2-1435 conversion universal joint is available exclusively through Neapco. This conversion universal joint will allow the driveline repair specialist to up-grade a driveline, add a CV head to a late model 4X4 lifted vehicle, or simply utilize common components. The 2-1435 is an OEM style kit for superior life in your application.

Part Number	Yoke Lock-up	Bearing Diameter	Bearing Type	Lube Fitting	Converts Part Numbers	U-Joint Series
2-1435	3.622 (O) 4.187 (O)	1.188 1.188	Round Round	None	2-0053 2-0054	Spicer (1350) Spicer (1410)

Available March 2008

NEAPCO, LLC 740 Queen St. Pottstown, PA 19464

Innovative Drivetrain Solutions

Phone: 800-821-2374
E-mail: hd@neapco.com
©2008 NEAPCO, LLC

(Insert this sheet into
Section XVIII in the
DS245 Master Catalog)
9900030

Fax: 610-326-2002
Web site: www.neapco.com
03/08 1