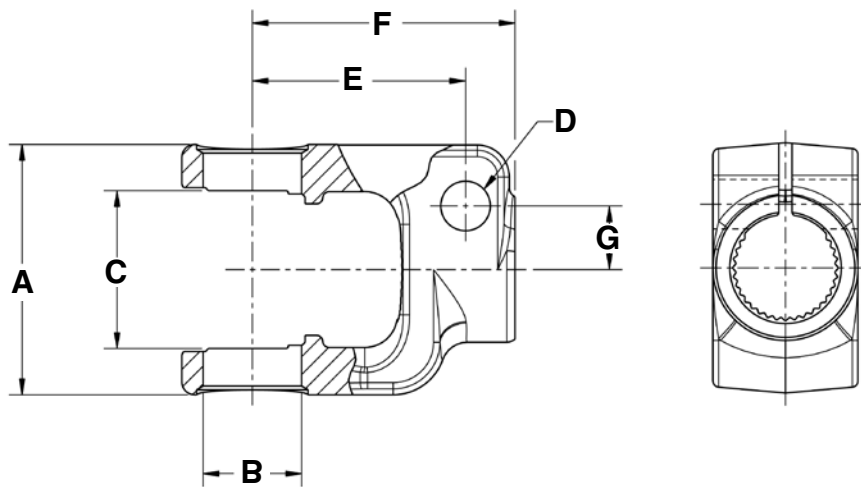




Product Announcement

New N1000 Steering Clamp Yoke Splined Bore Construction 10-4731



Spline / No Teeth	D Bolt Hole Diameter	E CL of Bearing Cap to CL of Bolt Hole	F Centerline to End Of Hub	G CL of Spline to CL of Bolt Hole	Part No.
N1000 Series use Kit No. 1-0103 A-2.312 B-0.938 C-1.500 (<i>Replaces Spicer 5-103X</i>)					
26 based on 36 Major dia. 1.011	0.471	2.029	2.500	0.605	10-4731

NEAPCO, LLC 740 Queen St. Pottstown, PA 19464

Innovative Drivetrain Solutions

Phone: 800-821-2374
E-mail: hd@neapco.com
©2008 NEAPCO, LLC

(Insert this sheet into
Section IV in the
DS245 Master Catalog)
9900029

Fax: 610-326-2002
Web site: www.neapco.com
03/08 1