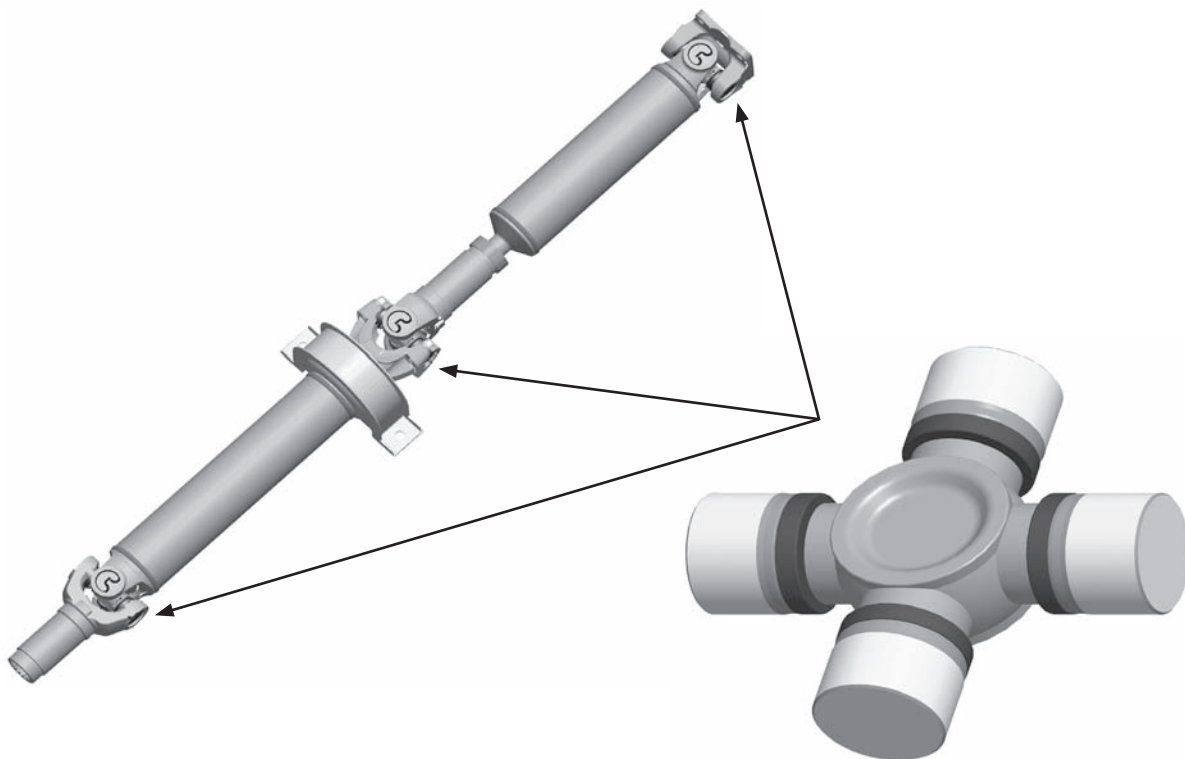




Product Announcement

***New Universal Joint Kit 3-0488
For 2004-2007 Ford F150 2WD and 4WD Pickup's***



The universal joint is a direct replacement for OEM # 4L3Z4635AB. The original vehicle universal joint is staked in place. Our kit utilizes outside snap rings and spacers. The Neapco U-joint provides a cost effective solution to replacing the entire driveshaft which for most applications is the only answer provided by the OEM's. Special tools are included with the kit to help remove the OEM joint and help preserve the driveshaft integrity.

NEAPCO, LLC 740 Queen St. Pottstown, PA 19464

Innovative Drivetrain Solutions

Phone: 800-821-2374
E-mail: hd@neapco.com
©2007 NEAPCO, LLC

([Insert this sheet into
Section XVIII in the
DS245 Master Catalog](#))
9901263

Fax: 610-326-2002
Web site: www.neapco.com
06/07 1