

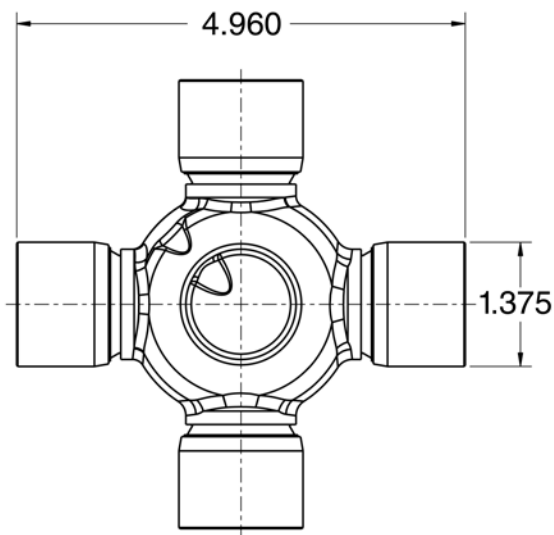


Product Announcement

New Universal Joint Kit 3-1555

OE-Quality Direct Replacement Universal Joint for 1555 Series AAM Applications.

NEAPCO® has developed a direct replacement permanently lubricated universal joint specifically for the AAM series yokes. This new u-joint has been engineered to address these dimensional differences, and meet or exceed OE performance and quality requirements. NEAPCO recognizes that consumer awareness of NVH (noise, vibration & harshness) issues has increased dramatically in recent years so these parts have been designed to help maintain the OEM driveshaft balance integrity.



The 1555 Series AAM Universal Joint is currently found on 2007 and later Dodge 3500 Trucks and Cab Chassis Models. The 3-1555 replaces the 68004852AB original equipment Chrysler part number.

Part Number	Yoke Lock-up	Bearing Diameter	Bearing Type	Lube Fitting	U-Joint Series
3-1555	4.960 (O)	1.375	Round	None	AAM (1555)

NEAPCO Components, LLC 740 Queen St. Pottstown, PA 19464

Phone: 800-821-2374

E-mail: hd@neapco.com

Innovative Drivetrain Solutions™

Fax: 610-326-2002

Web site: www.neapco.com

©2009 NEAPCO Components, LLC

9901088

07/2009

1