



# Product Announcement

## *New Transmission Slip Yokes*



Neapco is now offering the largest selection of replacement 1310 through 1480 series transmission slip yokes for FORD applications. These yokes are available for your replacement needs whether it is a 4X4 off roader, performance race car, towing vehicle, extreme vehicle, or you're every day street car, SUV, or truck. These yokes fit the following transmission and spline families:

- 28 spline fits the C-4 family of transmissions which includes C-4, AOD, T-5, Tremec, and Top Loaders
- 31 spline fits the C-6 family of transmissions which includes C-6, T-45, FMX, Tremec, and Top Loaders

Due to on-going customer requirements, Neapco is excited to offer these hard to find transmission slip yokes that are being produced in our Pottstown, PA manufacturing facility on a state of the art CNC machining center. We recognize the need to be a "solutions provider" and we are committed to an aggressive product development program. These transmission slip yokes are in stock and available for immediate shipment.

**-See Other Side for Part Number Information-**

NEAPCO, LLC 740 Queen St. Pottstown, PA 19464

*Innovative Drivetrain Solutions*

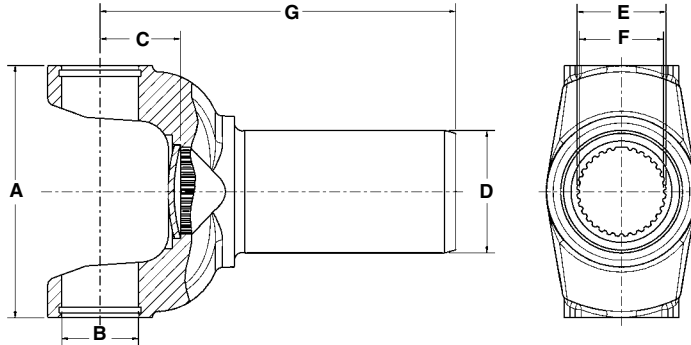
Phone: 800-821-2374  
E-mail: [hd@neapco.com](mailto:hd@neapco.com)  
©2007 NEAPCO, LLC

( Insert this sheet into  
Section III in the  
DS245 Master Catalog )  
9901274

Fax: 610-326-2002  
Web site: [www.neapco.com](http://www.neapco.com)  
10/07 1

# Product Announcement

## New Transmission Slip Yokes (cont'd)



Please refer to the specific seal diameter and dimensions to identify the correct slip yoke for your needs.

| Spline Data                                   |                         | G<br>Centerline to End of Spline | C<br>Centerline to Face of Washer | D<br>Seal Diameter | Joint Angle                   | Spline Length<br>(CB—Counterbore In End of Barrel)<br>(FS—Fully Splined) | Slip Yoke Assembly Part Number |
|---|-------------------------|----------------------------------|-----------------------------------|--------------------|-------------------------------|--|--------------------------------|
| E<br>Major Diameter Max                       | F<br>Minor Diameter Max |                                  |                                   |                    |                               |  |                                |
| <b>N1310 Series</b>                           |                         | <b>use Kit No. 1-0153</b>        | <b>A-3.469</b>                    | <b>B-1.063</b>     | (Replaces Spicer® No. 5-153X) |  |                                |
| <b>1.219 - 27 Based on 28 Involute Spline</b> |                         |                                  |                                   |                    |                               |  |                                |
| 1.220   | 1.098                   | 7.03                             | 1.00                              | 1.602/1.497        | —                             | FS   | <b>N2-3-12671X</b>             |
| 1.220   | 1.098                   | 6.53                             | 1.00                              | 1.497              | —                             | FS   | <b>N2-3-8251X</b>              |
| 1.220   | 1.098                   | 6.03                             | 1.05                              | 1.497              | —                             | FS   | <b>N2-3-4871X</b>              |
| <b>1.390 - 30 Based on 31 Involute Spline</b> |                         |                                  |                                   |                    |                               |  |                                |
| 1.390   | 1.268                   | 7.00                             | 1.53                              | 1.683              | —                             | FS   | <b>N2-3-15631X</b>             |
| <b>N1330 Series</b>                           |                         | <b>use Kit No. 2-4800</b>        | <b>A-3.875</b>                    | <b>B-1.062</b>     | (Replaces Spicer® No. 5-213X) |  |                                |
| <b>1.219 - 27 Based on 28 Involute Spline</b> |                         |                                  |                                   |                    |                               |  |                                |
| 1.220   | 1.098                   | 5.97                             | 1.05                              | 1.497              | —                             | FS   | <b>N2-3-5981X</b>              |
| 1.220   | 1.098                   | 6.66                             | 1.05                              | 1.597              | —                             | FS   | <b>N2-3-14061X</b>             |
| <b>1.390 - 30 Based on 31 Involute Spline</b> |                         |                                  |                                   |                    |                               |  |                                |
| 1.390   | 1.268                   | 7.03                             | 1.09                              | 1.885              | —                             | FS   | <b>N2-3-10201X</b>             |
| 1.390   | 1.268                   | 6.03                             | 1.05                              | 1.683              | —                             | FS   | <b>N2-3-6041X</b>              |
| <b>N1350 Series</b>                           |                         | <b>use Kit No. 2-0053</b>        | <b>A-3.875</b>                    | <b>B-1.188</b>     | (Replaces Spicer® No. 5-178X) |  |                                |
| <b>1.390 - 30 Based on 31 Involute Spline</b> |                         |                                  |                                   |                    |                               |  |                                |
| 1.390   | 1.268                   | 6.50                             | 1.22                              | 1.683              | —                             | FS   | <b>N3-3-2491X</b>              |
| 1.390   | 1.268                   | 7.34                             | 1.24                              | 1.885              | —                             | FS   | <b>N3-3-5431X</b>              |
| <b>N1480 Series</b>                           |                         | <b>use Kit No. 3-0188</b>        | <b>A-4.438</b>                    | <b>B-1.375</b>     | (Replaces Spicer® No. 5-188X) |  |                                |
| <b>1.390 - 30 Based on 31 Involute Spline</b> |                         |                                  |                                   |                    |                               |  |                                |
| 1.390   | 1.268                   | 6.91                             | 1.36                              | 1.885              | —                             | FS   | <b>N3-3-6021X</b>              |

NEAPCO, LLC 740 Queen St. Pottstown, PA 19464

*Innovative Drivetrain Solutions*

Phone: 800-821-2374  
E-mail: [hd@neapco.com](mailto:hd@neapco.com)  
©2007 NEAPCO, LLC

( Insert this sheet into  
Section III in the  
DS245 Master Catalog )  
9901274

Fax: 610-326-2002  
Web site: [www.neapco.com](http://www.neapco.com)  
10/07 2