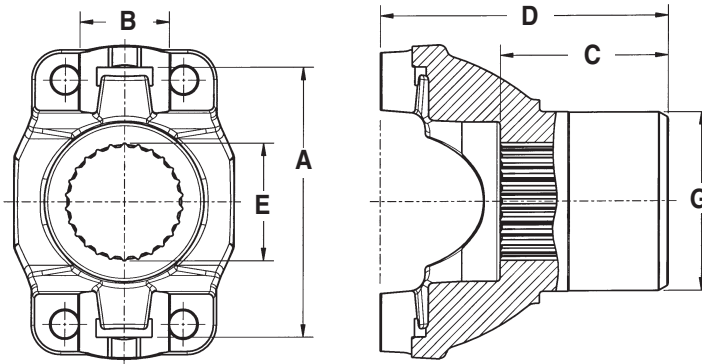




# Product Announcement

## New N1310 End Yoke Splined Bore U-Bolt Construction N2-4-2791



E Major Diameter- Tooth Count	G Ground Hub Diameter	C Length Thru Bore	D Centerline to End of Hub	Maximum Angle	▲ Yoke Type	End Yoke Part Number	Flinger Part Number	◆ Boxed End Yoke Assembly
N1310 Series		use Kit No. 1-0153		A-3.219	B-1.063			
1.125 - 10 Spline								
1.125	1.550	1.500	3.000	25°	UB	—	—	N2-4-2791

▲ UB U-Bolt end yoke. Use 1-0089 U-bolt kit

NEAPCO, LLC 740 Queen St. Pottstown, PA 19464

*Innovative Drivetrain Solutions*

Phone: 800-821-2374  
E-mail: [hd@neapco.com](mailto:hd@neapco.com)  
©2007 NEAPCO, LLC

( Insert this sheet into  
Section IV in the  
DS245 Master Catalog )  
9901207

Fax: 610-326-2002  
Web site: [www.neapco.com](http://www.neapco.com)  
05/07 1