

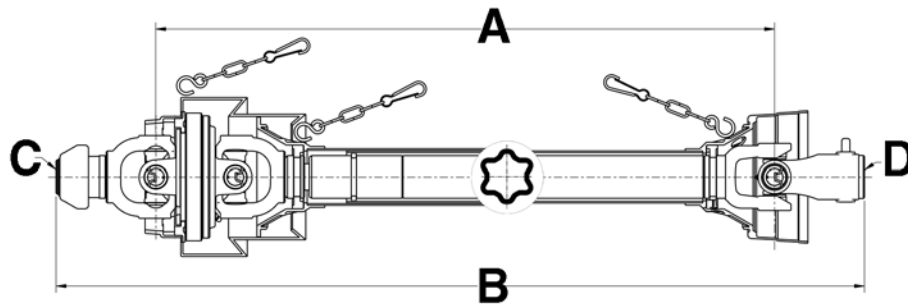


Product Announcement

New PTO CV Drive Shaft Assembly

METRIC — W65

Replacement 80 degree W65 CV driveshafts for Walterscheid series 2580



Part Number	A Compressed Length		B Compressed Length		C Tractor QD Collar yoke Bore	D Implement QD Pin yoke Bore	Metric Series
	mm	in.	mm	in.			
8-0203	1310	51.57	1556	61.26	1.375 X 6 Spl	1.375 X 6 Spl	Walterscheid 2580
8-0204	1310	51.57	1556	61.26	1.375 X 21 Spl	1.375 X 6 Spl	Walterscheid 2580
8-0205	1310	51.57	1556	61.26	1.750 X 20 Spl	1.750 X 20 Spl	Walterscheid 2580

Warning: The inner profile tube must engage the outer profile tube 1/2 it's overall length at the maximum extended position.

Note: 2580 series is the 80 degree CV designation for Walterscheid 2500 series.

NEAPCO Components, LLC 740 Queen St. Pottstown, PA 19464

Phone: 800-821-2374

E-mail: hd@neapco.com

Innovative Drivetrain Solutions™

Fax: 610-326-2002

Web site: www.neapco.com

©2009 NEAPCO Components, LLC

9901220

12/2009

1