

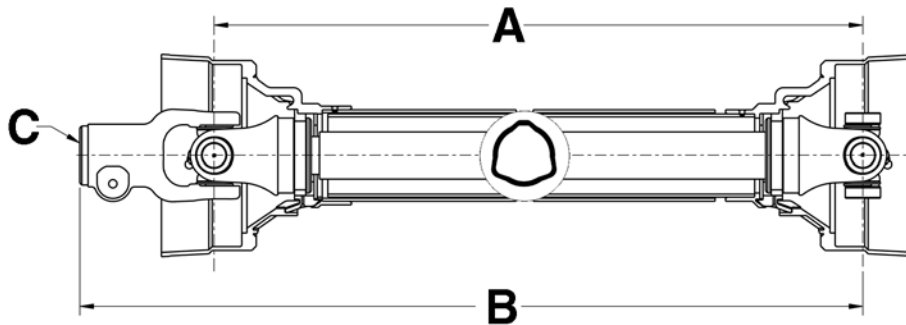


Product Announcement

New PTO Drive Shaft Assemblies

METRIC

Replacement driveshafts for Bondioli and Pavesi Metric series 2 through 8



Part Number	A Compressed Length		B Compressed Length		C Tractor QD Pin yoke Bore	Metric Series	Reference Universal Joint
	mm	in.	mm	in.			
8-0100	1010	39.76	1107	43.58	1.375 X 6 Spl	2	1-0221
8-0101	1310	51.57	1407	55.39	1.375 X 6 Spl	2	1-0221
8-0102	1060	41.73	1162	45.75	1.375 X 6 Spl	3	1-0321
8-0103	1360	53.54	1462	57.56	1.375 X 6 Spl	3	1-0321
8-0104	1060	41.73	1169	46.02	1.375 X 6 Spl	4	1-0421
8-0105	1360	53.54	1469	57.83	1.375 X 6 Spl	4	1-0421
8-0106	1010	39.76	1122	44.17	1.375 X 6 Spl	5	2-0521
8-0107	1310	51.57	1422	55.98	1.375 X 6 Spl	5	2-0521

Warning: The inner profile tube must engage the outer profile tube 1/2 it's overall length at the maximum extended position.

OVER -Continued on next page!

NEAPCO Components, LLC 740 Queen St. Pottstown, PA 19464

Phone: 800-821-2374

E-mail: hd@neapco.com

Innovative Drivetrain Solutions™

Fax: 610-326-2002

Web site: www.neapco.com

©2009 NEAPCO Components, LLC

9901204

12/2009

1

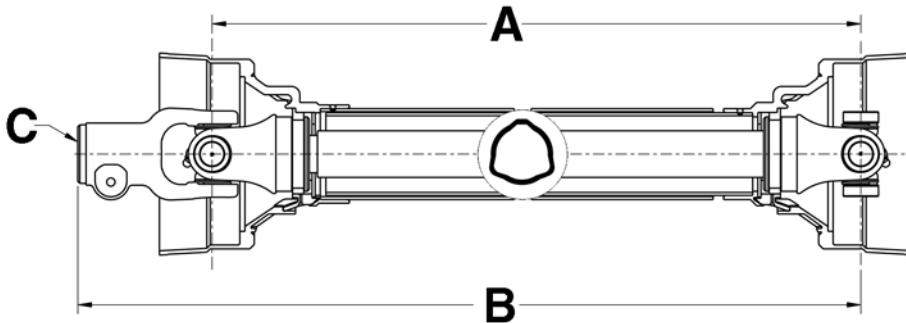


Product Announcement

New PTO Drive Shaft Assemblies (cont'd)

METRIC

Replacement driveshafts for Bondioli and Pavesi Metric series 2 through 8



Part Number	A Compressed Length		B Compressed Length		C Tractor QD Pin yoke Bore	Metric Series	Reference Universal Joint
	mm	in.	mm	in.			
8-0108	1010	39.76	1132	44.57	1.375 X 6 Spl	6	3-0621
8-0109	1310	51.57	1432	56.38	1.375 X 6 Spl	6	3-0621
8-0110	1010	39.76	1132	44.57	1.375 X 6 Spl	7	3-0721
8-0111	1310	51.57	1432	56.38	1.375 X 6 Spl	7	3-0721
8-0112	960	37.80	1085	42.72	1.375 X 6 Spl	8	3-0821
8-0113	1260	49.61	1385	54.53	1.375 X 6 Spl	8	3-0821

Warning: The inner profile tube must engage the outer profile tube 1/2 it's overall length at the maximum extended position.

NEAPCO Components, LLC 740 Queen St. Pottstown, PA 19464

Phone: 800-821-2374

E-mail: hd@neapco.com

Innovative Drivetrain Solutions™

Fax: 610-326-2002

Web site: www.neapco.com

©2009 NEAPCO Components, LLC

9901204

12/2009

2