

Product Announcement

New Flange Yokes - Double Cardan C.V. Head

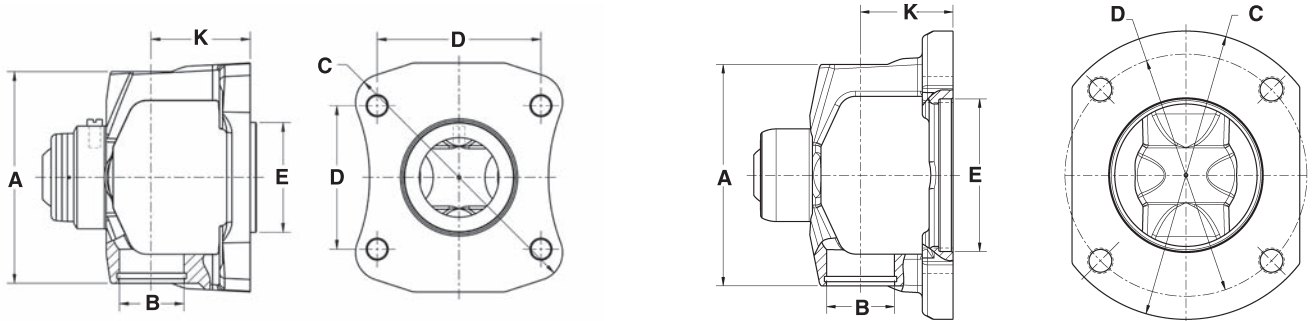


Figure I

Figure II

C Flange or Swing Diameter	D			E Pilot Diameter M—Male F—Female	K Flange Face to Centerline	Stud Socket Dimension	Fig.	Flange Yoke Part Number
	Bolt Pattern / Circle	Bolt Size	Number of Bolt Holes					
N1310 Series	use Kit No. 1-0153	A-3.469	B-1.062					(Replaces Spicer [®] 5-153X)
4.38	64/56mm 2.52/2.20"	10mm 0.394"	4 4	M-46mm M-1.811"	1.62	0.50	I	N2-83-288-2X
								<i>Fits Toyota early model applications</i>
4.38	60mm sq. 2.36"	10mm 0.394"	4	M-46mm M-1.811"	1.62	0.50	I	N2-83-288-3X
								<i>Fits Toyota late model applications</i>
N1350 Series	use Kit No. 2-0053	A-3.875	B-1.188					(Replaces Spicer [®] 5-178X)
5.12	3.94	12mm 0.472"	4	F-2.16	1.62	0.50	II	N3-83-072X
								<i>Fits Jeep Rubicon NVG241OR applications</i>

NEAPCO INC. 740 Queen St. Pottstown, PA 19464

Innovative Drivetrain Solutions

Phone: 800-821-2374
E-mail: hd@neapco.com

(Insert this sheet into
Section II in the
DS245 Master Catalog)

Fax: 610-326-2002
Web site: www.neapco.com

©2005 Neapco Inc.

9901269

11/05

1